

KFC-P631

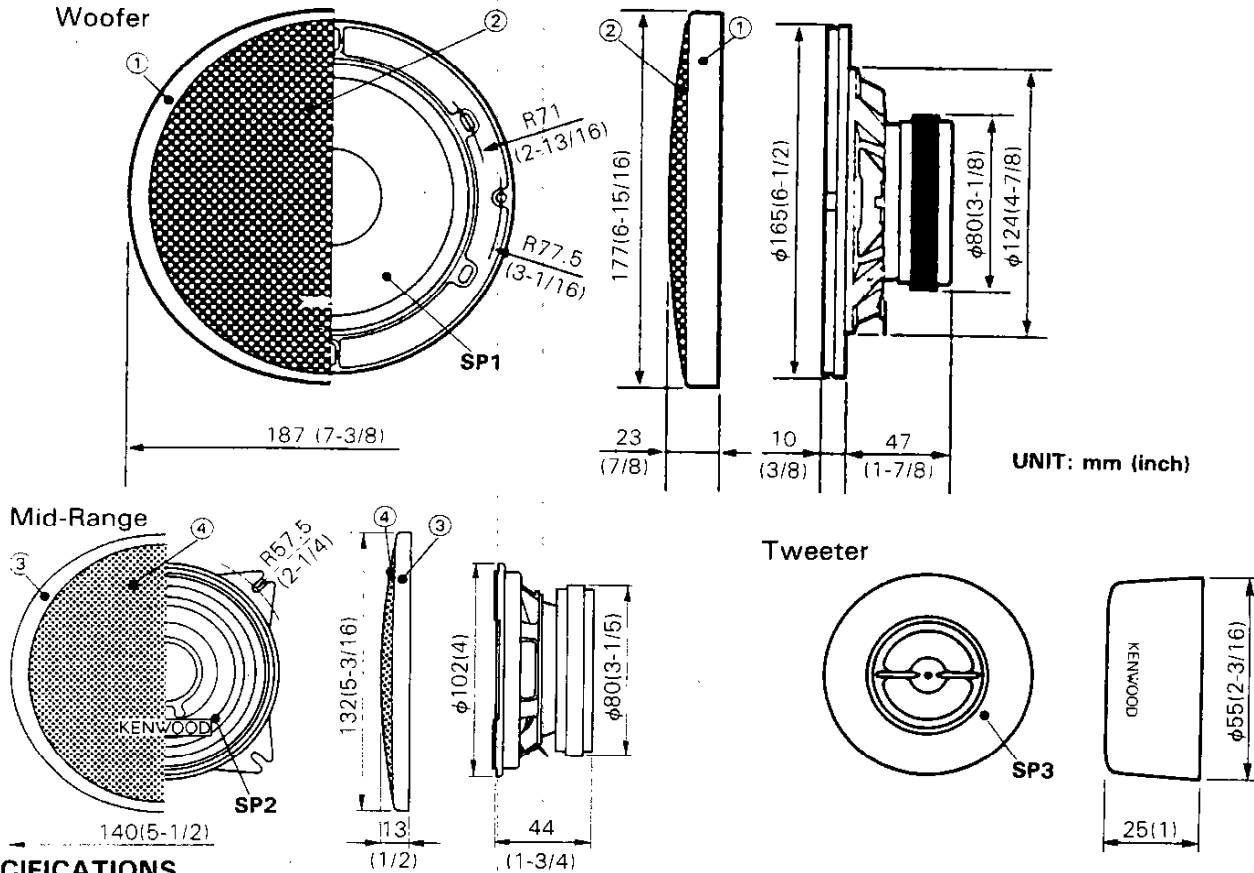
SERVICE MANUAL

KENWOOD



©1990-5 PRINTED IN JAPAN
B51-6195-00(T) 1236

EXTERNAL VIEW



UNIT: mm (inch)

SPECIFICATIONS

| | |
|---|---|
| Woofer | 16 cm (6 in) PP Cone Type 227 g (8 oz) Magnet |
| Peak Power | 150 Watts |
| Sensitivity | 89 dB/W at 1 m |
| Frequency Response | 45 Hz ~ 8,000 Hz |
| Impedance | 4 Ohms |
| Weight per Speaker with Grille | 0.9 kg (2 lb)/Pc. |
| Mid-Range | 10 cm (4 in) Cone Type 180 g (6.3 oz) Magnet |
| Peak Power | 150 Watts |
| Sensitivity | 89 dB/W at 1 m |
| Frequency Response | 65 Hz ~ 10,000 Hz |
| Resonant Frequency (Fo) | 140 Hz |
| Impedance | 4 Ohms |
| Weight Per Speaker | 0.53 kg (1.17 lb)/Pc. |

| | |
|--------------------------|-------------------------------------|
| Tweeter | 2.5 cm (1 in) Balanced Dome Type |
| Peak Power | 150 Watts |
| Sensitivity | 93 dB/W at 1 m |
| Frequency Response | 3,500 Hz ~ 20,000 Hz |
| Impedance | 4 Ohms |
| Weight Per Speaker | 0.1 kg (0.22 lb)/Pc. |

KENWOOD follows a policy of continuous advancements in development
For this reason specifications may be changed without notice.)